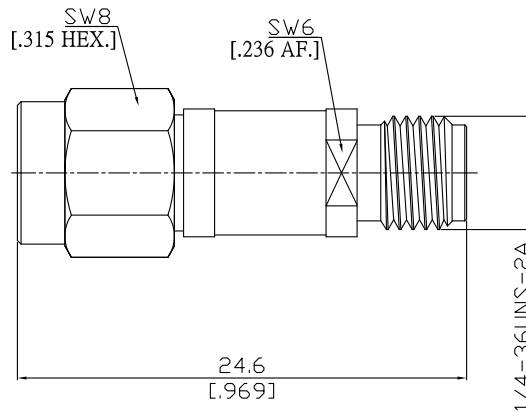


Fixed Attenuator 2 Watt  
SMA plug (male) / SMA jack (female)

FA-A1A25A-12.4G2W- -/911-91



All dimensions are in mm [inch]  
Tolerances according to DIN ISO 2768-mH

### Interface

According to MIL-C-39012;MIL-STD-348A/310

### Electrical Data

Impedance 50 Ω  
Interface frequency max. DC to 12.4 GHz  
VSWR (Return Loss) ≤ 1.30 (≥17.69 dB)  
Power handling (Watt) 2 Watts average to 25°C

### Maximum Deviation Over Frequency

Nominal ATTN (dB)	Deviation (dB)
1-10	±0.5
11-30	±0.5

### Mechanical Data

Coupling mechanisms Screw-lock  
Weight 0.0053 kg

### Environmental Data

Temperature range -55°C to +85°C  
RoHS compliant

### Material And Plating

Connector parts	Material	Plating
Centre contact	Beryllium Copper	Gold plating(Nickel underplated)
Body	Brass	Gold plating(Nickel underplated)
Insulator	PTFE	
Gasket	Silicone Rubber	
Coupling nut	Brass	Gold plating(Nickel underplated)
Resistor	Thick film	

Connector parts	Material	Plating
Centre contact	Beryllium Copper	Gold plating(Nickel underplated)
Body	Brass	Gold plating(Nickel underplated)
Insulator	PTFE	

### Packing

Single or 100